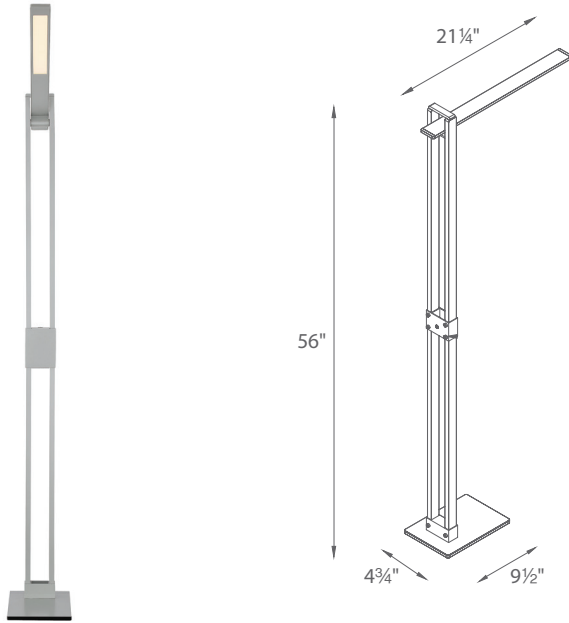
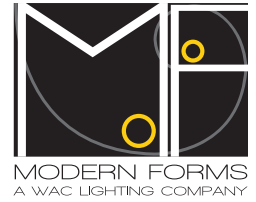


# SUSPENSION – model: FL-1750

## LED Floor Lamp



Fixture Type:

Catalog Number:

Project: \_\_\_\_\_

Location: \_\_\_\_\_

### PRODUCT DESCRIPTION

A progressive design reminiscent of suspension bridges, cranes and levers. The Suspension floor lamp features a 180 degree adjustable arm with high powered LED module and a conveniently located fingertip touch dimmer.

### FEATURES

- Fingertip touch dimming
- Universal voltage (120V-220V)
- Driver located at the plug
- 80,000 hour rated life
- Color Temp: 3000K
- CRI: 85

### SPECIFICATIONS

**Construction:** Aluminum


**Light Source:** High output LED

**Finish:** Titanium (TT)

**Standards:** ETL & cETL listed, CEC Title 20

Compliant

### ORDER NUMBER

Model	Wattage	Voltage	LED Lumens	Delivered Lumens	Finish
<b>FL-1750</b>	14W	120V-220V	485	352	<b>TT</b> Titanium 

Example: **FL-1750-TT**

modernforms.com  
Phone (800) 526.2588  
Fax (800) 526.2585

Headquarters/Eastern Distribution Center  
44 Harbor Park Drive  
Port Washington, NY 11050

Central Distribution Center  
1600 Distribution Ct  
Lithia Springs, GA 30122

Western Distribution Center  
1750 Archibald Avenue  
Ontario, CA 91760