

## INSTALLATION INSTRUCTIONS

### 179-Outdoor Pendant

PD-W17907/PD-W17913

# MODERN FORMS

**CAUTION: To prevent electrical shock, ensure electricity has been turned off at the circuit breaker before beginning.**

- Read all instructions before installing.
- System is intended for installation by a licensed electrician in accordance with the National Electrical Code (NEC) and local regulations.
- When handling the fixture, do not apply pressure to the LEDs. Hold the fixture by the base only.
- Retain installation instructions for future maintenance reference.

**WARNING:** All parts must be used as indicated in these instructions. This product is designed for use only with the supplied parts and/or accessories designated for use by Modern Forms. Substitution of parts or accessories not designated for use with this product by Modern Forms could result in personal injury or property damage, and will void the warranty. Contact an authorized dealer or the manufacturer if any parts are damaged or missing.

**MAINTENANCE NOTE:** Coastal conditions may cause mineral and residue build-up on the fixture. We recommend that customers in coastal areas clean all external surfaces of the fixture once every two weeks with a wet cloth.

**MISE EN GARDE:** Pour éviter tout choc électrique, assurez-vous que le disjoncteur soit mis hors tension avant de commencer.

- Lisez toutes les instructions avant l'installation.
- Le système doit être installé par un électricien licencié conformément au code national de l'électricité (NEC), et également aux règlements locaux.
- Lors de la manipulation du luminaire, n'appuyez pas sur les LED. Tenez-le uniquement par la base.

**ATTENTION:** Toutes les pièces doivent être utilisées comme indiqué dans ces instructions. Ce produit est conçu pour être utilisé seulement avec les pièces et/ou accessoires fournis pour être utilisés avec les produits Modern Forms. Remplacer des pièces ou accessoires non conçus pour ce produit Modern Forms pourrait causer des dommages corporels ou matériels et pourrait également causer l'annulation de la garantie. Veuillez contacter un revendeur autorisé ou le fabricant si des pièces manquent ou sont endommagées.

**NOTE D'ENTRETIEN:** Les conditions côtières peut causer une accumulation de minéraux et de résidus sur le luminaire. Nous recommandons aux clients qui résident dans les zones côtières de nettoyer toutes les surfaces externes du luminaire une fois toutes les deux semaines avec un chiffon humide.

## HARDWARE

A



Wire Connector  
Qty: 3pcs+1Extra

B



Mounting Screw  
Qty: 1 Extra

C



Gasket  
Qty: 1 Extra

D



Wood Screw  
Qty: 3pcs+1Extra

E



Plastic Anchor  
Qty: 3pcs+1Extra

F



Allen Wrench  
Qty: 1 pc

G



Allen Screw  
Qty: 5 Extra

modernforms.com  
Phone (800) 526.2588  
Fax (800) 526.2585

Headquarters/Eastern Distribution Center  
44 Harbor Park Drive  
Port Washington, NY 11050

Central Distribution Center  
1600 Distribution Ct  
Lithia Springs, GA 30122

Western Distribution Center  
1750 Archibald Avenue  
Ontario, CA 91760



# INSTALLATION INSTRUCTIONS

## 179-Outdoor Pendant

PD-W17907/PD-W17913

# MODERN FORMS

### PREPARATION

1. Shut off the power at the circuit breaker and remove existing fixture, including the crossbar.
2. Carefully unpack your new fixture and lay out all the parts on a clear area. Be careful not to lose any small parts necessary for installation.

### MOUNTING THE FIXTURE (Fig. 1)

3. Remove the mounting screw (B) and gasket (C) from the fixture.
4. Drill holes in the wall aligned with the waist holes located on the back plate, insert the plastic anchor (E).
5. Secure the mounting back plate to the junction box using standard junction box screws that comes with the junction box. Fasten the back plate to the wall with the plastic anchors(E) using the wood screws provided(D).

Note: the side of the mounting plate marked "GND" must face out.

6. Choose number of rods suitable for your application.
7. Thread the fixture wire through the rods and canopy.
8. Connect the canopy, rods and lamp body, Make sure all are tightened.
9. Connect the lamp body's input wires to electrical box output wires as shown (Fig. 2).

NOTE: The black and white wires bound together by the tape are a group, A group of black and white wires connected to an electrical box (red and Black wires) .

### CONNECTING THE WIRES

10. Hook the safety cords to the mounting plate.
11. Connect the fixture's input wires to junction box wires as shown (Fig. 3), making sure that all wire connectors (A) are secured. If your outlet box has a green or bare copper ground wire, connect the fixture's ground wire to it. Otherwise, connect the fixture's ground wire directly to the back plate using screw provided. After wires are connected, tuck them carefully inside the junction box.

### COMPLETING THE INSTALLATION

12. Secure the fixture to the mounting back plate using the mounting screw (B) and the rubber gasket (C).
13. Twist the reeded glass into the lamp body, and then twist the clear glass into the lamp body.
14. Fix the clear glass with allen wrench (F) and allen screw to prevent falling off.
15. To prevent moisture from entering the outlet box and causing a short, use clear caulking (i.e. indoor/outdoor silicone sealant) to outline the outside of fixture back plate where it meets the wall (Fig. 4).

### NOTE: DIMMING WIRING INFORMATION

16. To utilize ELV dimming: use wires black (hot), white (neutral) and bare copper ground wire (ground).

Fig. 1

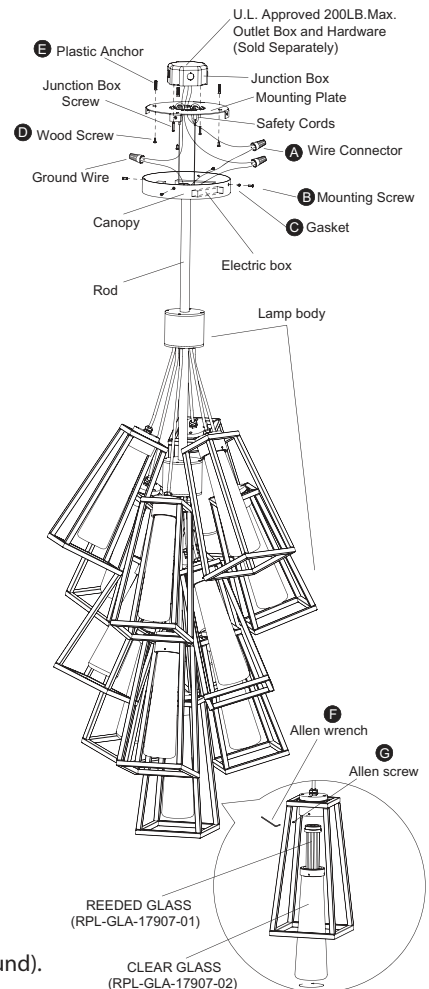


Fig. 2

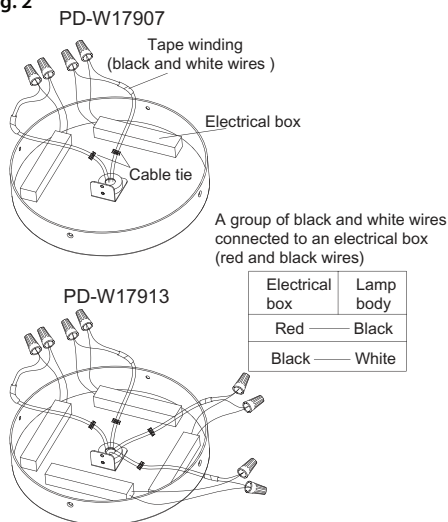
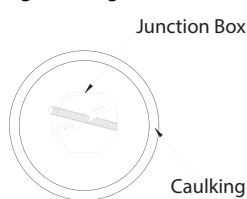


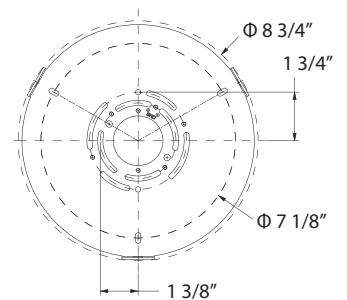
FIG. 3 Wiring

Fixture Wires	House Wires
Black or Smooth	Black (Hot)
White or Ribbed	White (Neutral)
Bare wire (Ground)	Green or Bare Copper (Ground)

Fig. 4 Sealing



PD-17907&PD-17913 Back Plate Dimensions



modernforms.com  
Phone (800) 526.2588  
Fax (800) 526.2585

Headquarters/Eastern Distribution Center  
44 Harbor Park Drive  
Port Washington, NY 11050

Central Distribution Center  
1600 Distribution Ct  
Lithia Springs, GA 30122

Western Distribution Center  
1750 Archibald Avenue  
Ontario, CA 91760

