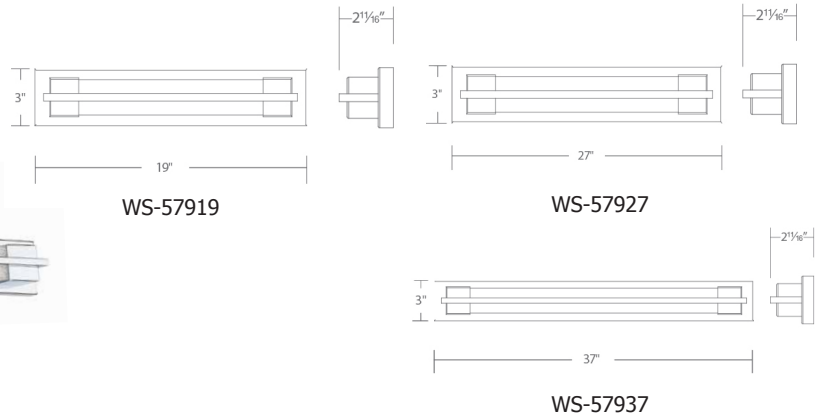


Fixture Type:

Catalog Number:

Project:

Location:



PRODUCT DESCRIPTION

Covered with shimmering frost, this transitional design adds a jewelry-inspired iced element while preserving continuity across a broad range of architectural styles.

SPECIFICATIONS

Construction: Aluminum hardware, sparkling glass

Light Source: High output LED

Finish: Chrome (CH)

Standards: ETL & cETL Damp Location listed, ADA Compliant, CEC Title 24 Compliant

FEATURES

- No transformer or driver needed
- Dimmer: ELV
- Rated Life: 50,000 hours
- Color temp: 3500K
- CRI: 90

ORDER NUMBER

Model	Width	Wattage	Voltage	LED Lumens	Delivered Lumen	Finish
WS-57919	19"	12W		1000	710	CH <i>Chrome</i> 
WS-57927	27"	24W	120V	1800	1420	
WS-57937	37"	27W		2400	1720	

Example: WS-57919-CH

modernforms.com
 Phone (866) 810.6615
 Fax (800) 526.2585

Headquarters/Eastern Distribution Center
 44 Harbor Park Drive
 Port Washington, NY 11050

Central Distribution Center
 1600 Distribution Ct
 Lithia Springs, GA 30122

Western Distribution Center
 1750 Archibald Avenue
 Ontario, CA 91760