

ATLANTIS – model: PD-39928 / PD-39935
LED Interior Pendants & Chandeliers

MODERN FORMS

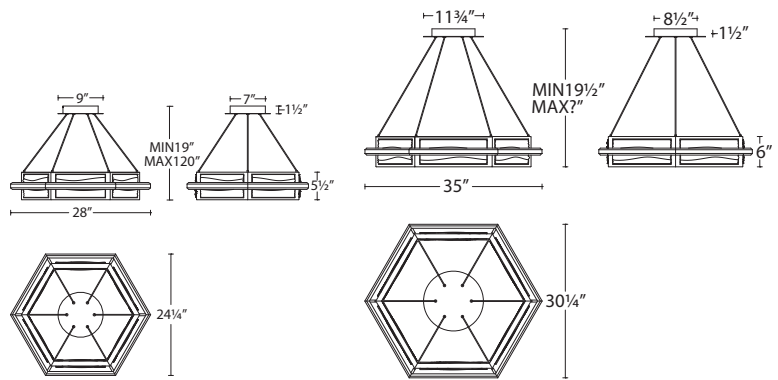


Fixture Type:

Catalog Number:

Project: _____

Location: _____



PRODUCT DESCRIPTION

The rhythm of moonlight on the sea is captured within the molded glass lens floating inside the frame. Integral LEDs backlight the glass for a stunning luminous effect, like reflections of moonlight on waves.

FEATURES

- Cast art glass
- Quick spin-on canopy design with minimal hardware for easy installation
- Thin, powered aircraft cables provide an ultra clean look for adjustable suspension height
- Universal Driver (120V-277V) concealed within the canopy
- Dimming: ELV, 0-10V, TRIAC
- Rated Life: 50,000 hours
- Color Temp: 3000K
- CRI: 90

SPECIFICATIONS

- Construction:** Aluminum body with pressed glass diffuser
- Light Source:** High output LED
- Finish:** Aged Nickel (AN)
- Standards:** ETL & cETL Damp Location listed

ORDER NUMBER

	Size	Wattage	Voltage	LED Lumens	Delivered Lumens	Finish
PD-39928	28"	44W	120-277V	3000	1311	AN <i>Antique Nickel</i>
PD-39935	35"	64W		4000	1900	

Example: **PD-39928-AN**

modernforms.com
Phone (800) 526.2588
Fax (800) 526.2585

Headquarters/Eastern Distribution Center
44 Harbor Park Drive
Port Washington, NY 11050

Central Distribution Center
1600 Distribution Ct
Lithia Springs, GA 30122

Western Distribution Center
1750 Archibald Avenue
Ontario, CA 91760