

ATLANTIS

PD-39947

Chandelier & Pendants

MODERN FORMS

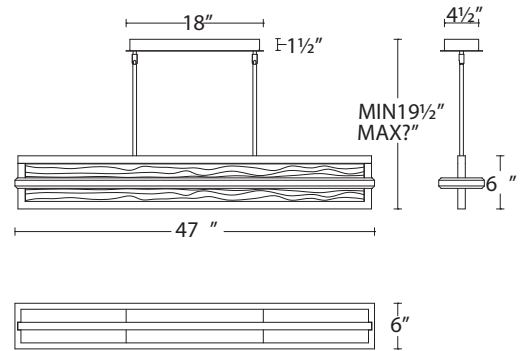


Fixture Type:

Catalog Number:

Project: _____

Location: _____



PRODUCT DESCRIPTION

The rhythm of moonlight on the sea is captured within the molded glass lens floating inside the frame. Integral LEDs backlight the glass for a stunning luminous effect, like reflections of moonlight on waves.

FEATURES

- Cast art glass
- Six 12" and two 6" down rods included (additional down rods available for purchase)
- Universal Driver (120V-277V) concealed within the canopy
- Dimming: ELV, 0-10V, TRIAC
- Rated Life: 50,000 hours
- Color Temp: 3000K
- CRI: 90

SPECIFICATIONS

Construction: Steel hardware, cast art glass

Light Source: High output LED

Finish: Aged Nickel (AN)

Standards: ETL & cETL Damp Location listed

ORDER NUMBER

	Size	Wattage	Voltage	LED Lumens	Delivered Lumens	Finish
PD-39947	47"	44W	120-277V	2835	1177	AN <i>Antique Nickel</i>

Example: **PD-39947-AN**

modernforms.com
Phone (800) 526.2588
Fax (800) 526.2585

Headquarters/Eastern Distribution Center
44 Harbor Park Drive
Port Washington, NY 11050

Central Distribution Center
1600 Distribution Ct
Lithia Springs, GA 30122

Western Distribution Center
1750 Archibald Avenue
Ontario, CA 91760