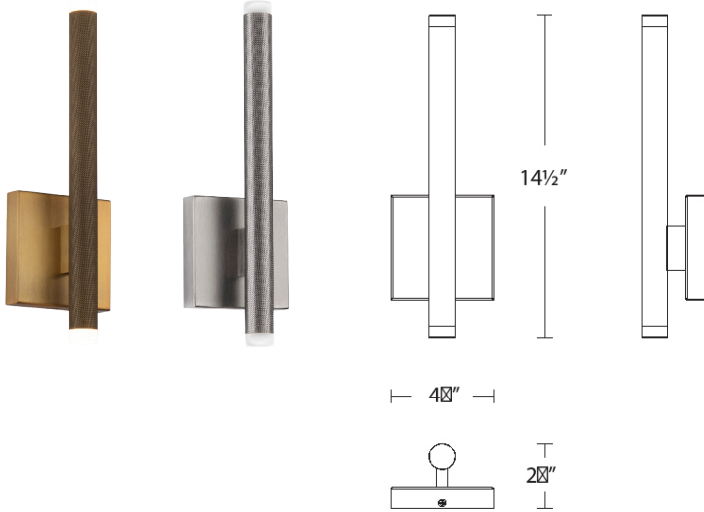


# BURNING MAN Interior Sconces

# MODERN FORMS

WS-67015



Fixture Type:

Catalog Number:

Project: \_\_\_\_\_

Location: \_\_\_\_\_

## PRODUCT DESCRIPTION

A refined touch to modern industrial décor. Deeply textured for a rough tactile aesthetic, this masculine utilitarian design also has brilliant ends encasing LED light sources while providing architectural up and down lighting.

## FEATURES

- Knurled aluminum casing with diamond pattern
- Up and down illumination
- Universal Driver (120V-277V) concealed within the canopy
- Dimming: ELV, 0-10V, TRIAC
- Rated Life: 50,000 hours
- Color Temp: 3000K
- CRI: 90

## SPECIFICATIONS

**Construction:** Aluminum body with acrylic diffuser

**Light Source:** High output LED

**Finish:** Aged Brass (AB), Antique Nickel (AN)

**Standards:** ETL & cETL, Damp Location listed, Title 24 Compliant, ADA Compliant

## ORDER NUMBER

Model	Size	Wattage	Voltage	LED Lumens	Delivered Lumens	Finish
<b>WS-67015</b>	15"	9W	120-277V	700	542	<b>AB</b> Aged Brass <b>AN</b> Antique Nickel

Example: **WS-67015-AB**

modernforms.com  
Phone (800) 526.2588  
Fax (800) 526.2585

Headquarters/Eastern Distribution Center  
44 Harbor Park Drive  
Port Washington, NY 11050

Central Distribution Center  
1600 Distribution Ct  
Lithia Springs, GA 30122

Western Distribution Center  
1750 Archibald Avenue  
Ontario, CA 91760