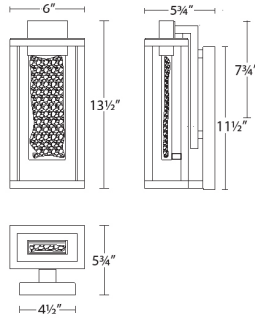


LANTERNA Wall Sconces - Outdoor

MODERN FORMS

WS-W56014 / WS-W56018

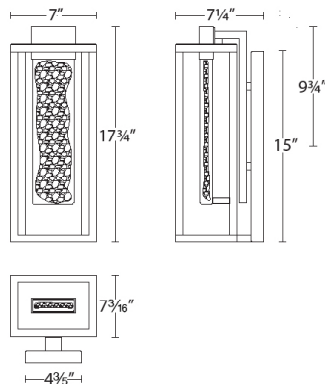


Fixture Type:

Catalog Number:

Project: _____

Location: _____



PRODUCT DESCRIPTION

Update your style from traditional lanterns to this clean and open frame. Graciously exquisite with its unique art glass clandestinely illuminated with LEDs to create interest and light refraction on surrounding surfaces.

FEATURES

- Uniquely hand-crafted from recycled glass
- ACLED driverless technology
- Dimming: ELV
- Rated Life: 50,000 hours
- Color Temp: 3000K
- CRI: 90

SPECIFICATIONS

Construction: Aluminum body with pressed glass

Light Source: High output LED

Finish: Black (BK)

Standards: ETL & cETL, Wet Location listed, IP65 Rated, Title 24 Compliant

REPLACEMENT GLASS

Part#	Fixture
RPL-GLA-56014	WS-W56014
RPL-GLA-56018	WS-W56018

ORDER NUMBER

Model	Height	Watt	Voltage	LED Lumens	Delivered Lumens	Finish
WS-W56014	14"	6W	120V	400	112	BK Black
WS-W56018	18"	10W		600	208	

Example: **WS-W56014-BK**

modernforms.com
Phone (800) 526.2588
Fax (800) 526.2585

Headquarters/Eastern Distribution Center
44 Harbor Park Drive
Port Washington, NY 11050

Central Distribution Center
1600 Distribution Ct
Lithia Springs, GA 30122

Western Distribution Center
1750 Archibald Avenue
Ontario, CA 91760